

1. ALL RECLAIMED WATER PIPING TO BE OWNED AND MAINTAINED BY THE TOWN SHALL BE A SOLID PANTONE PURPLE COLOR.
2. RECLAIMED WATER MAINS SHALL BE PVC CONFORMING TO AWWA C-900, DR 18 FOR PIPE SIZES 4"-12". PIPES 14" & LARGER SHALL BE AWWA C-905, DR 25. PRESSURE CLASS 350 DIP IS AN ACCEPTABLE ALTERNATE. ALL COUPLINGS, CLEANING COMPOUNDS, SOLVENTS, LUBRICANTS, AND PIPE PREPARATION FOR LAYING SHALL BE IN ACCORDANCE WITH THE PIPE MANUFACTURERS LATEST RECOMMENDATIONS.
3. DEPTH OF RECLAIMED WATER LINES TO BE 36" MIN. BELOW FINISHED GRADE.
4. RECLAIMED WATER MAINS TO BE LOCATED 5' FROM BACK OF CURB OR EDGE OF PAVEMENT UNLESS OTHERWISE NOTED.
5. ALL PIPING CLEARANCES SHALL BE IN ACCORDANCE WITH CHAPTER 62-555.314, F.A.C.
6. ALL RECLAIMED WATER MAINS UNDER PAVEMENT SHALL BE DUCTILE IRON PIPE AND SHALL EXTEND 5' BEYOND THE EDGE OF PAVEMENT OR BACK OF CURB, EXCEPT DIRECTIONAL BORES, WHICH SHALL BE SDR-11 HDPE.
7. ALL IRRIGATION SLEEVING UNDER PAVEMENT SHALL EXTEND 5' BEYOND THE EDGE OF PAVEMENT OR BACK OF CURB.
8. ALL OTHER REQUIREMENTS OF THE TOWN WATER SYSTEM SHALL APPLY TO THE RECLAIMED WATER SYSTEM.
9. PROPER SIGNAGE FOR PUBLIC ACCESS IRRIGATION AREAS TO BE SUPPLIED BY THE DEVELOPER / CONTRACTOR, IN ACCORDANCE WITH CHAPTER 62-610.418, F.A.C.

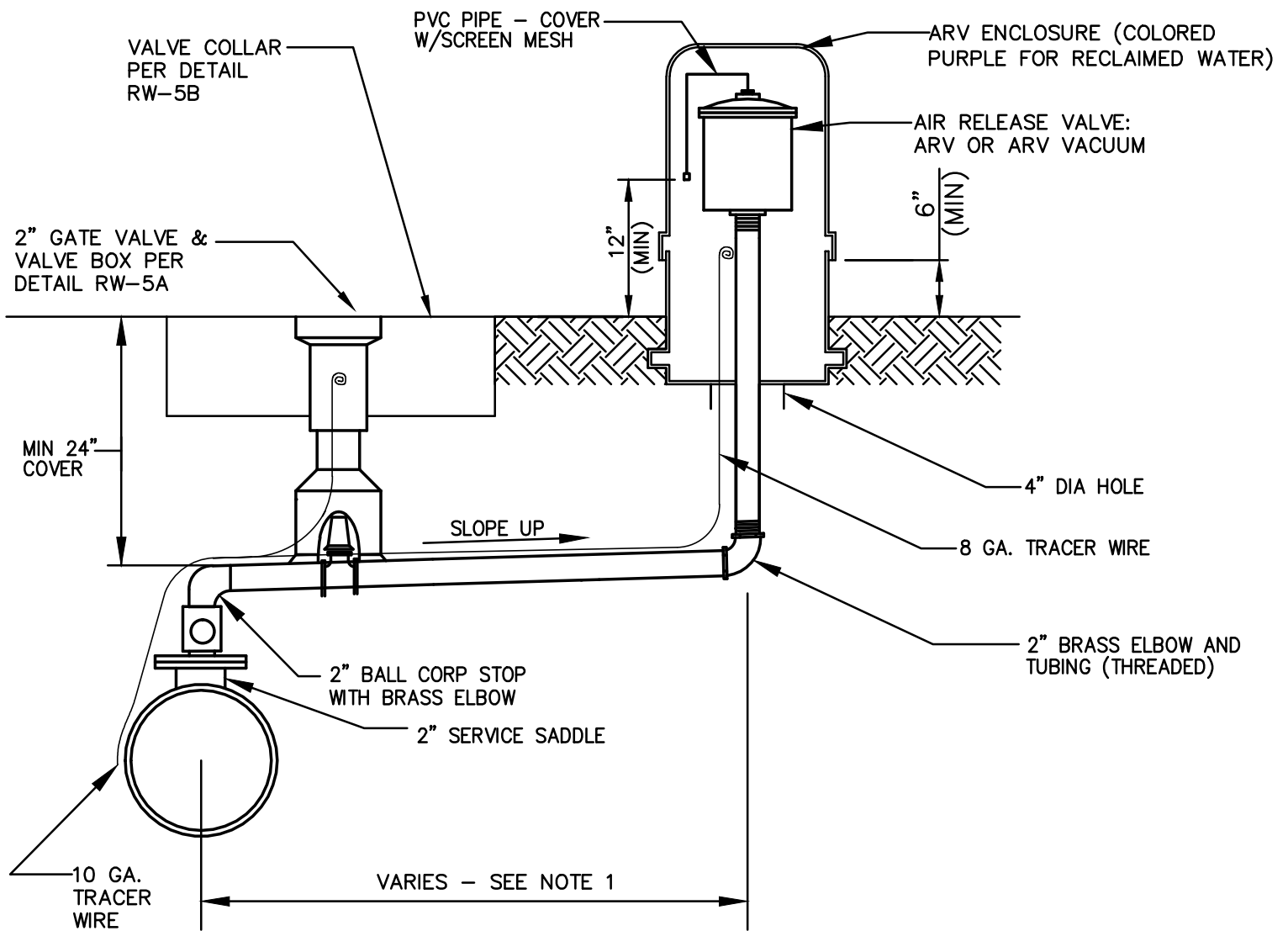
GENERAL RECLAIMED WATER NOTES



Howey-in-the-Hills
Standard Details

DATE: FEB 2022

DETAIL RW-1



NOTES:

1. OFFSET DISTANCE SHOWN ON DRAWINGS.
2. ADJUST HORIZONTAL LOCATION OF ARV ENCLOSURE, AS REQUIRED TO AVOID SIDEWALK. LOCATE ARV ENCLOSURE WITHIN 1' OF R/W OR AS OTHERWISE DETERMINED BY THE CITY.

OFFSET AIR RELEASE VALVE VAULT

NOT TO SCALE

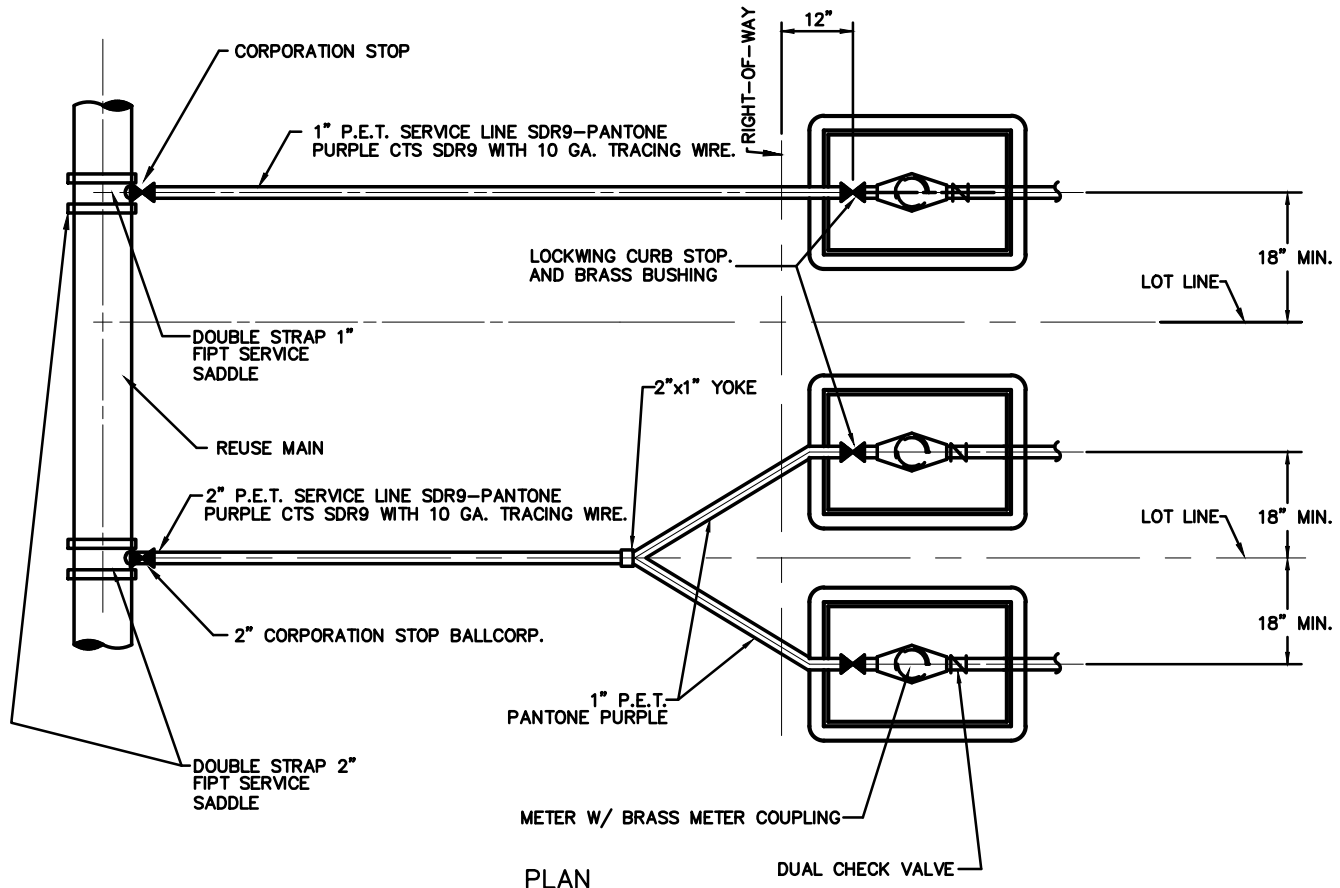


Howey-in-the-Hills

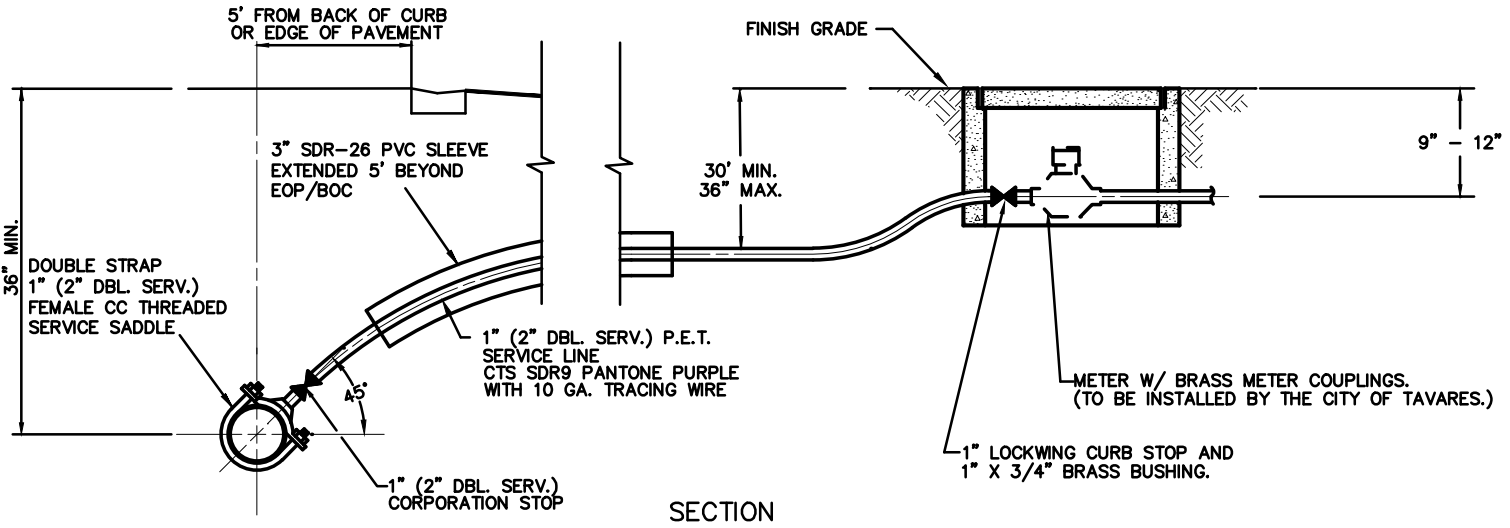
Standard Details

DATE: FEB 2022

DETAIL RW-2



PLAN



SECTION

RECLAIMED WATER SERVICE CONNECTION

NOT TO SCALE

(NOTE: METERS TO BE INSTALLED BY CITY OF TAVARES.)

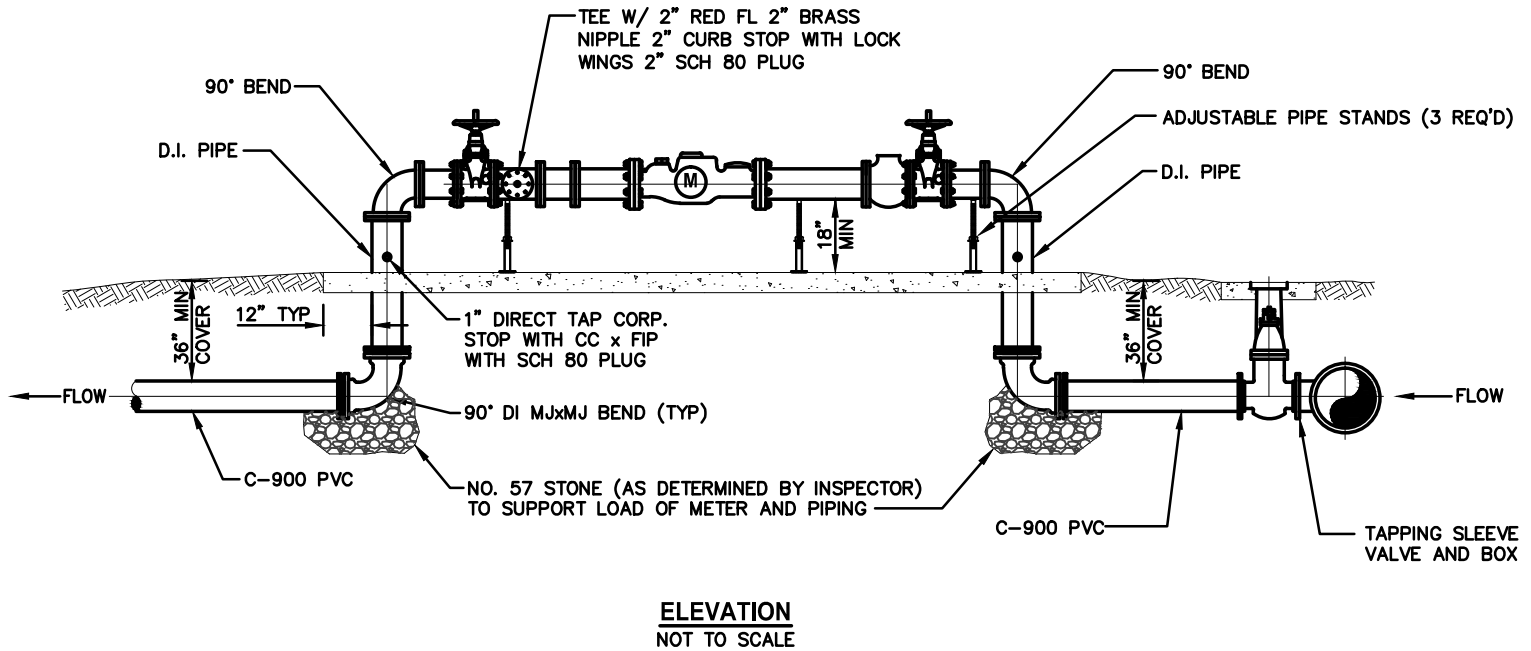
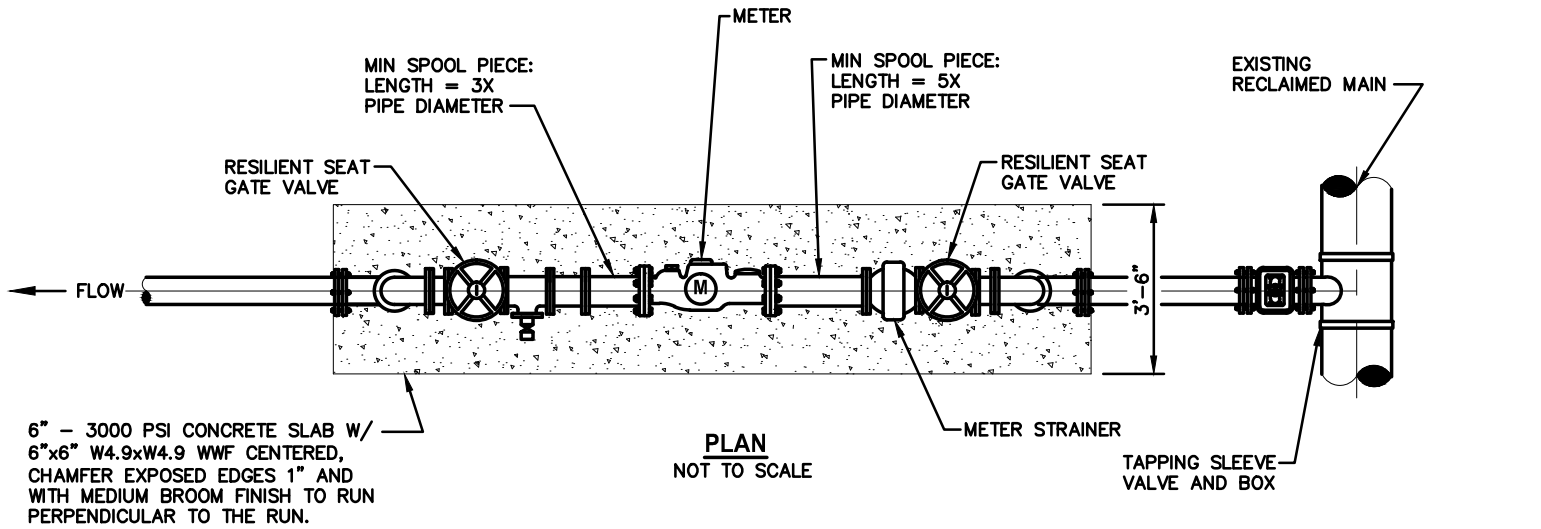


Howey-in-the-Hills

Standard Details

DATE: FEB 2022

DETAIL RW-3



- NOTES:
1. ALL ABOVE GROUND PIPE TO BE PAINTED WITH 2 COATS OF APPROVED PANTONE PURPLE PAINT.

RECLAIMED WATER METERING

NOT TO SCALE

(NOTE: METERS TO BE INSTALLED BY CITY OF TAVARES.)

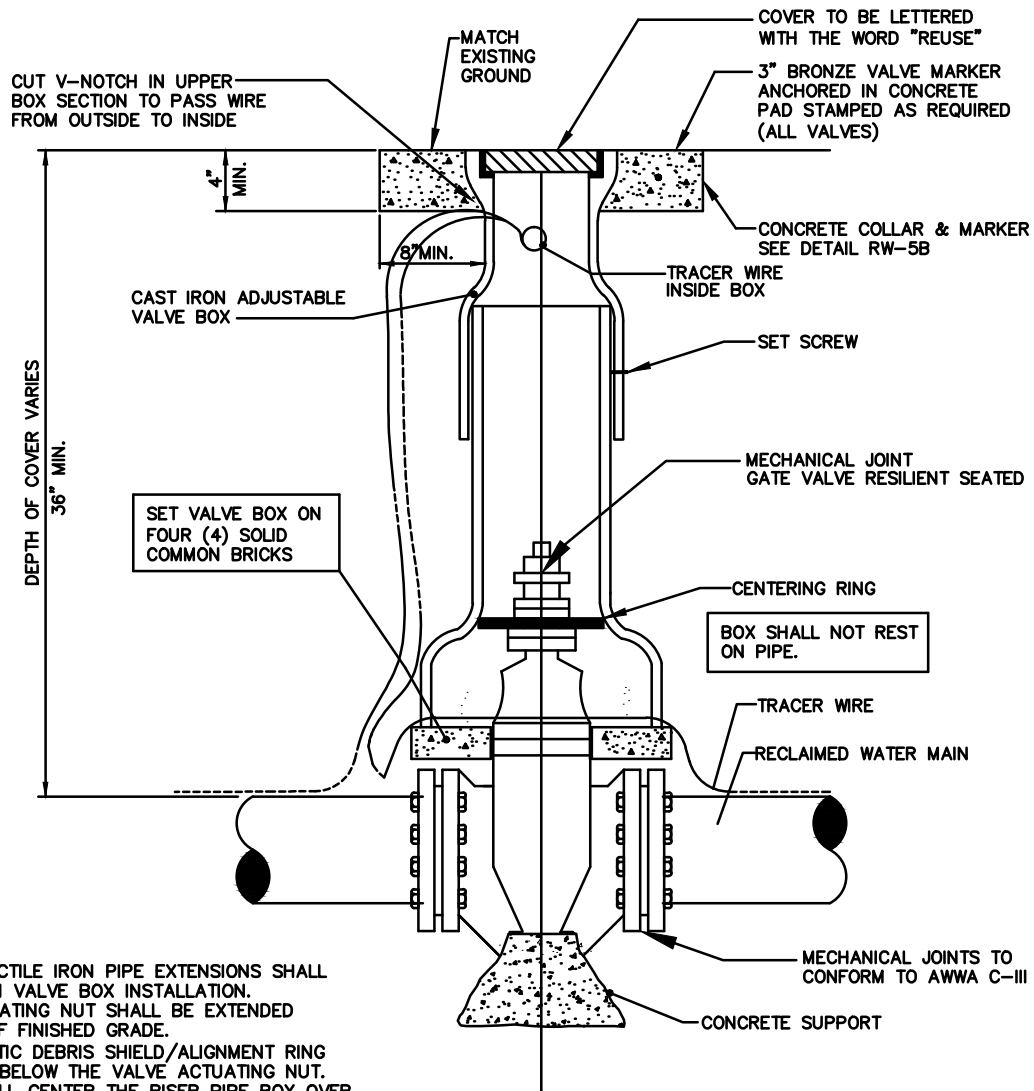


Howey-in-the-Hills

Standard Details

DATE: FEB 2022

DETAIL RW-4



NOTES

1. PVC PIPE OR DUCTILE IRON PIPE EXTENSIONS SHALL NOT BE USED ON VALVE BOX INSTALLATION.
2. THE VALVE ACTUATING NUT SHALL BE EXTENDED WITHIN 2 FEET OF FINISHED GRADE.
3. PROVIDE A PLASTIC DEBRIS SHIELD/ALIGNMENT RING WHICH INSTALLS BELOW THE VALVE ACTUATING NUT. THIS SHIELD SHALL CENTER THE RISER PIPE BOX OVER THE ACTUATING NUT AND MINIMIZE INFILTRATION.
4. FOR NEW CONSTRUCTION, THE VALVE BOX SHALL BE ADJUSTED TO MIDRANGE TO ALLOW FOR FUTURE BOX ADJUSTMENTS.
5. VALVE BOX SHALL BE A TWO PIECE SCREW TYPE.

GATE VALVE AND BOX

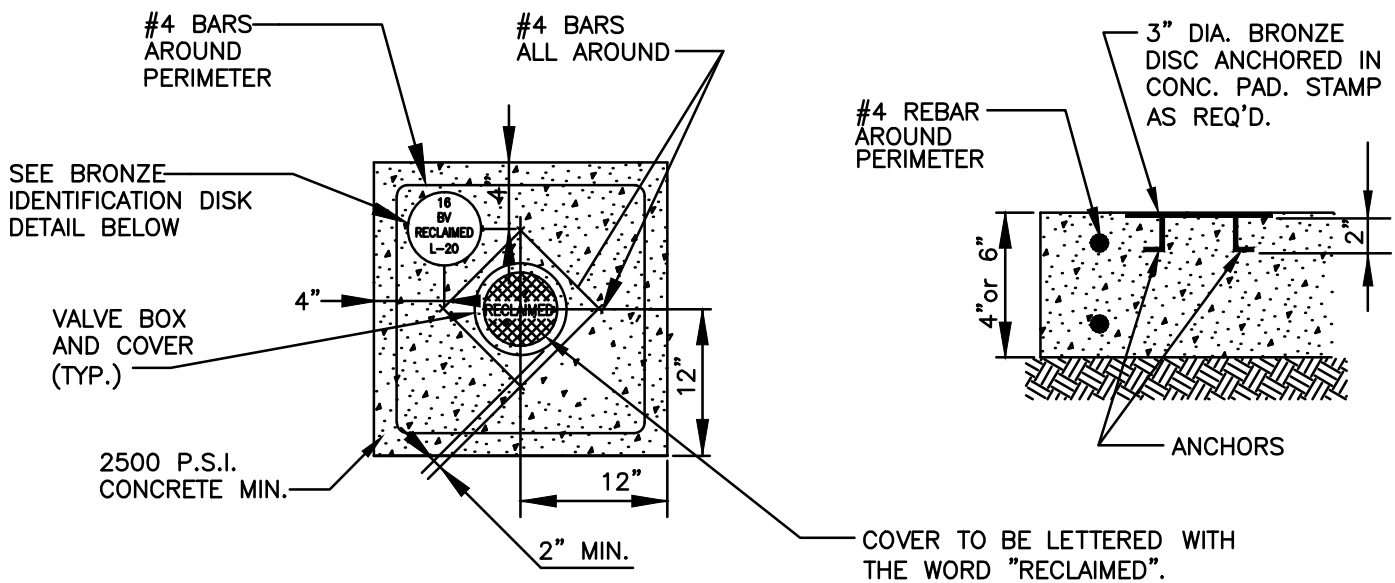
NOT TO SCALE



Howey-in-the-Hills
Standard Details

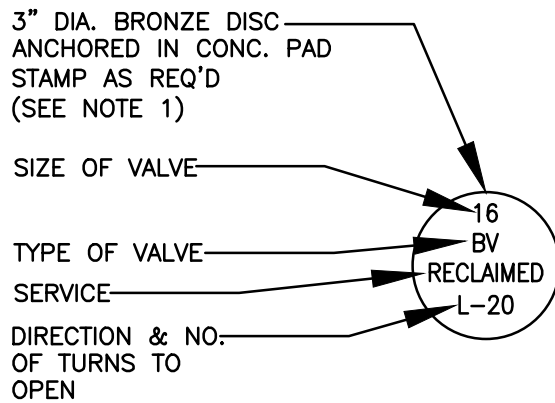
DATE: FEB 2022

DETAIL RW-5A



NOTE:

1. BRONZE IDENTIFICATION DISK SHALL BE REQUIRED FOR ALL VALVES.
2. 6" THICK CONCRETE PAD IN ROADWAY OR PAVED AREAS, 4" THICK CONCRETE PAD IN OTHER AREAS.



BRONZE IDENTIFICATION DISK DETAIL

VALVE COLLAR
NOT TO SCALE



Howey-in-the-Hills
Standard Details

DATE: FEB 2022

DETAIL RW-5B